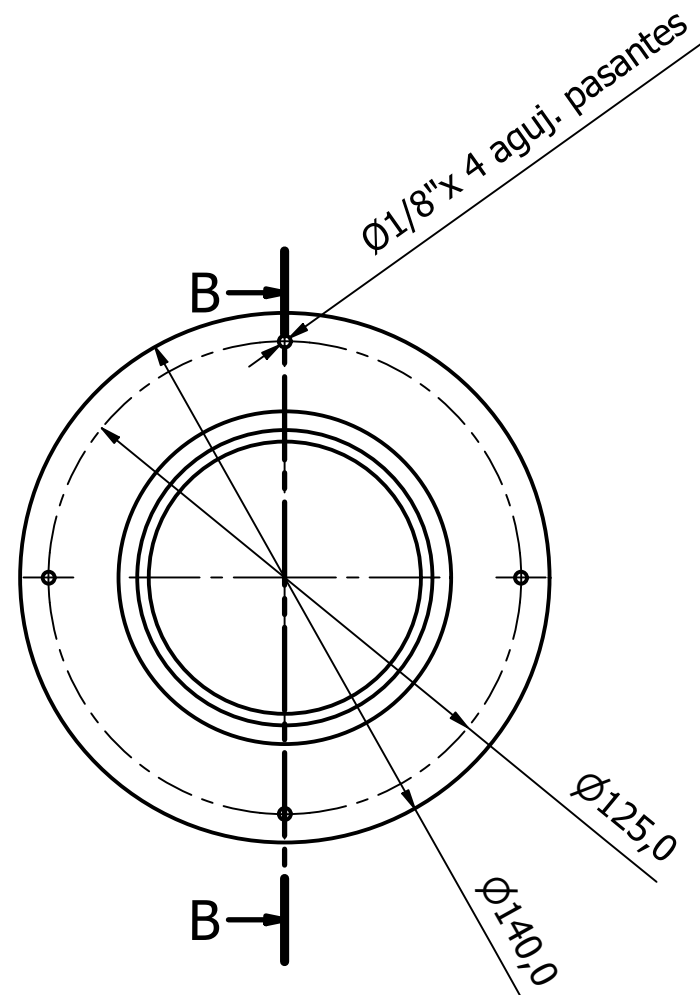
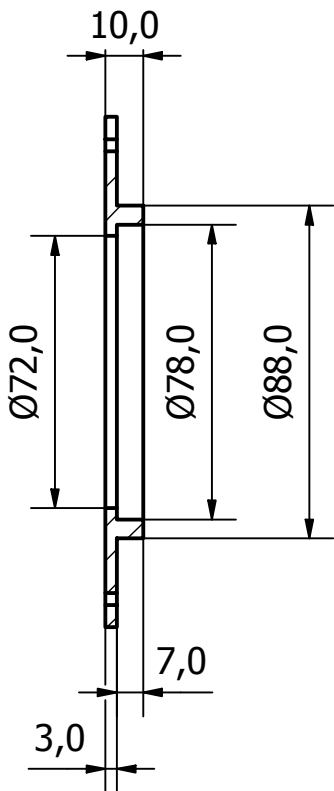
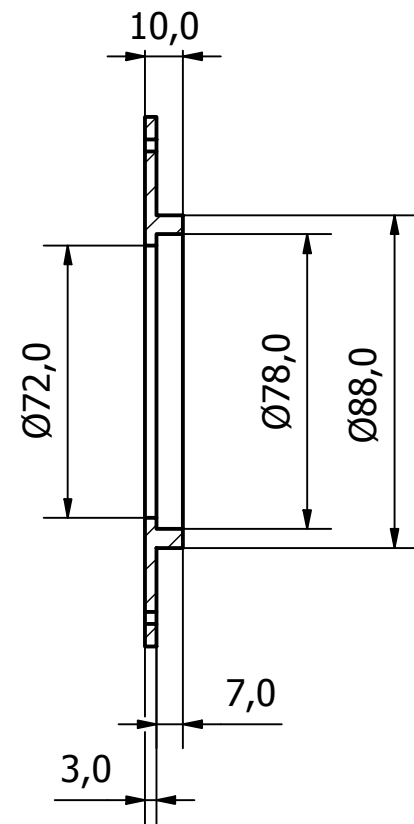


A-A ( 1 : 2 )



B-B ( 1 : 2 )



Designed by Jhonathan Duque O.	Checked by	Approved by	Date	Date 08/09/2019
Universidad del Valle, escuela de Ing. Mecánica			Soporte reten 1 y 2(intermedio)	Edition 1 / 1